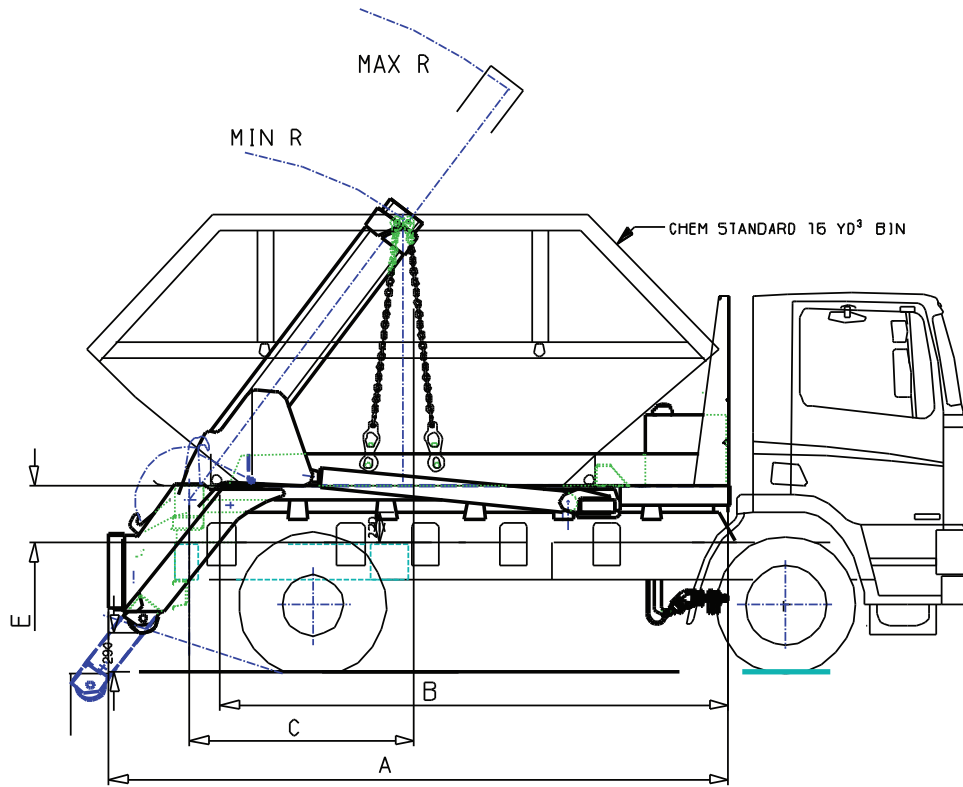


BL2TA**Telescopic Skiploader
Short Wheelbase****BLT**

**ROLLERS
OPTIONAL**
(with all-wheel braking)

DIMENSIONS

A	Overall length	4900mm
B	Length of flat bed	3800mm
C	Chassis cut-off to load centre	2290mm
D	Chassis cut-off to end of equip	350mm

DIMENSIONS

E	Top of chassis to platform	420mm
Max R	Max radius of tele arms	3825mm
Min R	Min radius of tele arms	2600mm
	Overall width of equipment	2492mm

CHASSIS

GVW	18 Tonne
Type	4x2
DAF LF55	3450mm*
IVECO 180E	3690mm*

* Recommended wheelbase

CONTAINER

	Vol
Max capacity (open top)	16 cu yds
Max container width	2030mm

EQUIPMENT CAPACITY

Lifting from ground level	
Arms fully retracted	14,000kg
Arms fully extended	9,500kg
Lifting 800mm below ground level (Arms fully retracted)	9,500kg
Typical Legal Payload	10,000kg

**STANDARD
EQUIPMENT**

- Independent telescopic arms
- Independent jack legs
- Air operated controls on 'Wander' lead
- Flat jack feet
- Access step & grab rail
- Lifting chains with dual position lugs
- 1 work lamp
- Full length bin guides
- Oil tank mounted to side of platform

OPTIONS

- Handbrake interlock
- Rear view camera
- Synchronised tele lift arms
- Various chain options
- Towing options
- Fire extinguisher
- Flashing warning beacon
- First aid kit
- Net box
- Tool box
- Chain covers

Refer to E5496 for option details

EQUIPMENT DETAILS

Max operating pressure	320bar
Equipment weight	3,000kg