

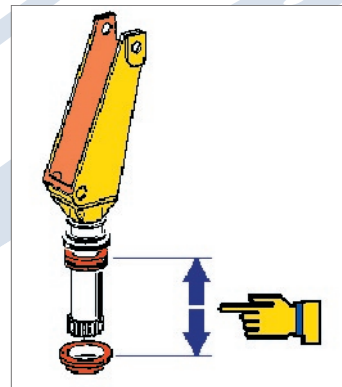
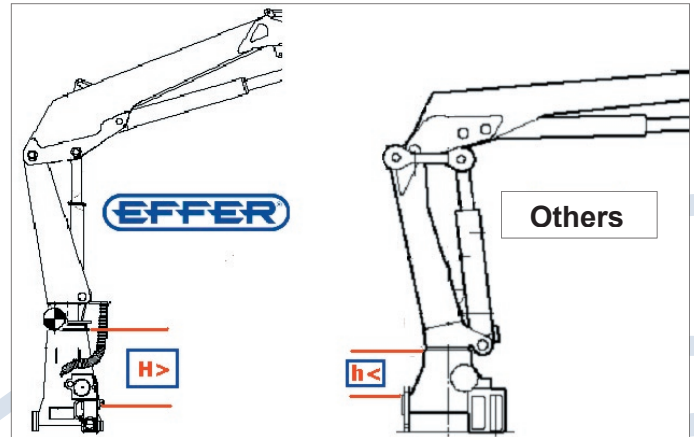
AVANT-TECH

Welded steel basement

A general feature that typically comes with all EFFER cranes is the welded steel construction of the basement.

This technique that other manufacturers use only for large capacity cranes allows building a very tall basement in correspondence to the slewing column, thus granting an optimal distance between the upper and lower slewing bushes.

The result is a very stable column while the slewing occurs, still achieving a very limited weight of the whole basement.



EP 20	EP 30	42	62	75	95	110E-115	120	140	155	165	170	210	250	310
●	●	●	●	●	●	●	●	●	●	●	●	●	●	●
325	340	370	16000BL	24000BL										
●	●	●	●	●										

● Standard ● Optional



EFFER Holding S.p.A.
 Via C. Bonazzi, 12/14 - 40013 Castel Maggiore (BO) Italy
 tel. +39 051 4181211 - fax +39 051 701492
 www.effer.it - e-mail: truckcranes@effer.it

DE00011GB_1-040505